

MINI  
CONTROLLER

# CONTROL ENHANCED

Why choose between the beauty of a clean dashboard and the user-friendliness of a control panel, when you can have both? The new Zipwake Mini Controller brings together the best of two worlds, giving boatbuilders the freedom to design attractive, modern dashboards - while delivering all the control boaters need to get the most out of every day on the water. Whatever the conditions.

## ALWAYS WITHIN REACH

Rain, wind and waves - when the weather doesn't cooperate, touchscreens can be difficult to use. With the Mini Controller, there's no need to stay home.

Small and discreet, the Mini Controller is the perfect complement to any Zipwake system equipped with the Integrator Module and touchscreen MFDs. It acts as an "eyes-free" remote control for the Zipwake App, giving boaters total system control for optimum trim without having to reach for a touchscreen.

Boaters can either let the Zipwake system work automatically or make manual adjustments with the user-friendly and intuitive control wheels. No external GPS source is needed to operate the system, thanks to the Mini Controller's built-in GPS.

## EASY TO INSTALL - ANYWHERE

The rugged and waterproof Mini Controller can be surface mounted or flush mounted within reach anywhere - and in any position - from the cockpit of a day cruiser to the flybridge of a yacht.



For even more convenience, the Mini Controller's Key Sense can be connected to the engine ignition for automatic system power-on.

## CHOOSE YOUR CONFIGURATION

Zipwake offers many different configuration possibilities to suit each boater's personal taste. They can choose a basic set-up with Zipwake's proven control panel, connect MFDs and smart devices using the Integrator Module - and add the Mini Controller for easy control. No matter what.

## SPECIFICATIONS

MODEL	MC
INDICATORS	RGB LEDs
SUPPLY VOLTAGE	12 - 32 V DC
POWER CONSUMPTION	2 W max
OPERATING TEMPERATURE	-20° to +80°C (-4° to +176°F)
STORAGE TEMPERATURE	-40° to +90°C (-40° to +194°F)
WATERPROOF RATING	IP67
COMPASS SAFE DISTANCE	0.5 m (1.7 ft)
COMPLIANCE	CE, FCC
WEIGHT	0.1 kg (0.22 lbs)

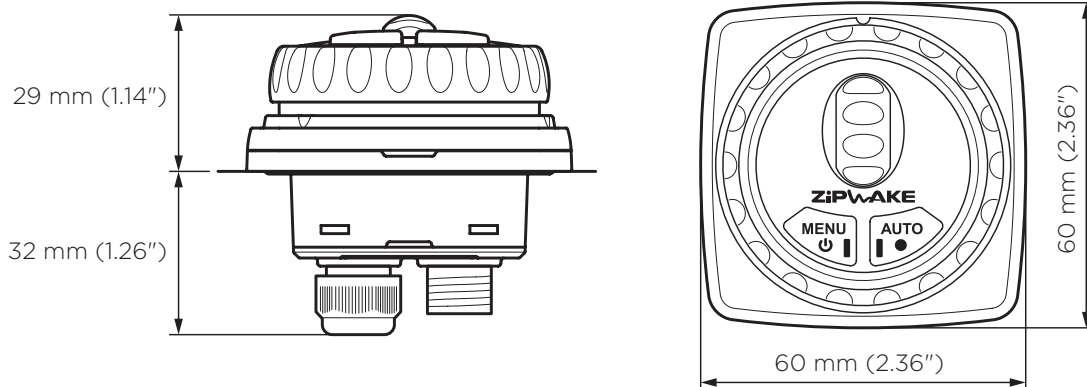
## FEATURES

- USER-FRIENDLY AND INTUITIVE CONTROLS
- MULTIFUNCTION BUTTONS
- AUTO POWER ON/OFF VIA IGNITION KEY SENSE
- BUILT-IN GPS
- SURFACE OR FLUSH MOUNT
- WATERPROOF
- UP TO 3 MINI CONTROLLERS IN THE SYSTEM

## INTERFACES

- I-BUS IN (CAN BUS)
- I-BUS OUT (CAN BUS)
- KEY SENSE

## DIMENSIONS



## ORDERING DATA

MODEL	MC
PART NO.	2012401 with Standard Cable 3 m
• Available as an accessory	• Available as a spare part