

QUESTIONNAIRE

SHORT FORM 400-E CHINE



Name: _____

Boat type: _____

Model year: _____

Length: _____

Beam: _____

Weight: _____

Top speed: _____

Cruising speed: _____

Engine (hp): _____

Shaft

Outboard

Sterndrive

Pod drive*

Waterjet

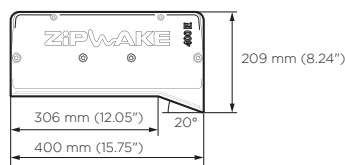
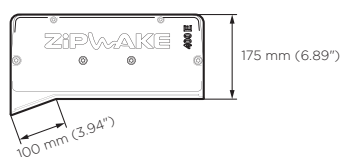
Number of engines: _____

Diameter of propeller: _____

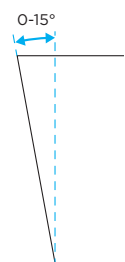
*Pod drives, e.g. the Volvo Penta IPS, MerCruiser, Cummins Zeus and ZF Marine 4000

Mounting surface (write down measurements)

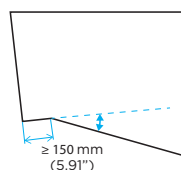
Interceptor dimensions in mm (inch):



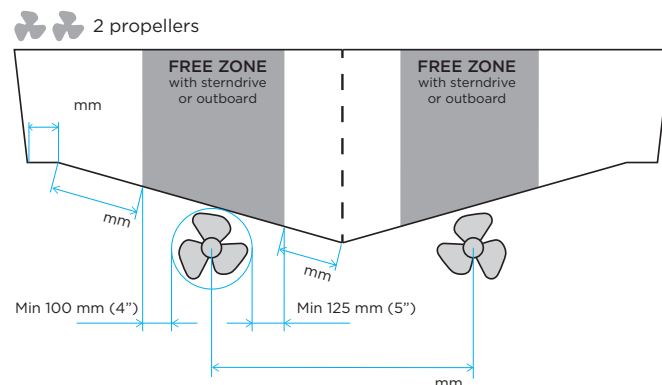
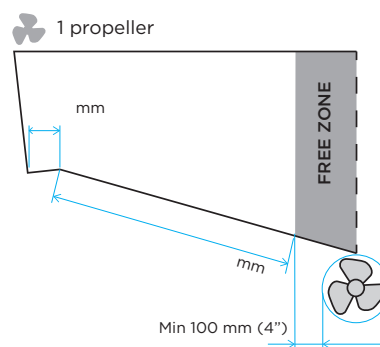
Angles



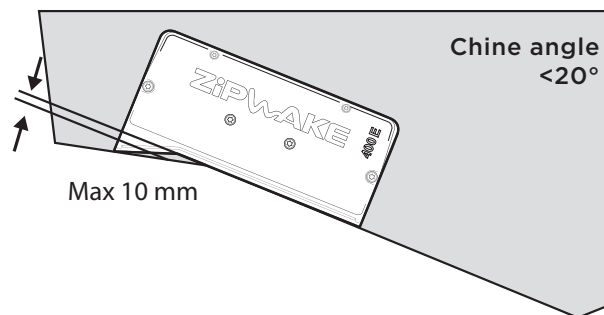
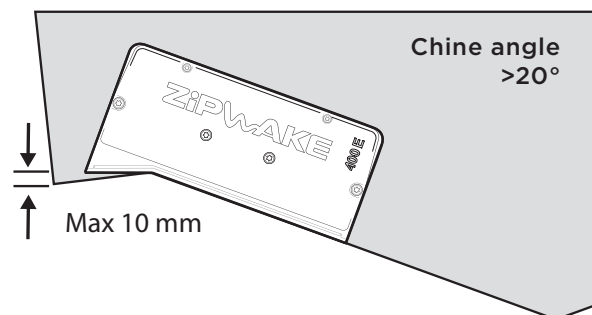
Transom angle: _____



Chine angle: _____



Chine interceptor mounting when chine angle deviates from 15 degrees



Complete with photos